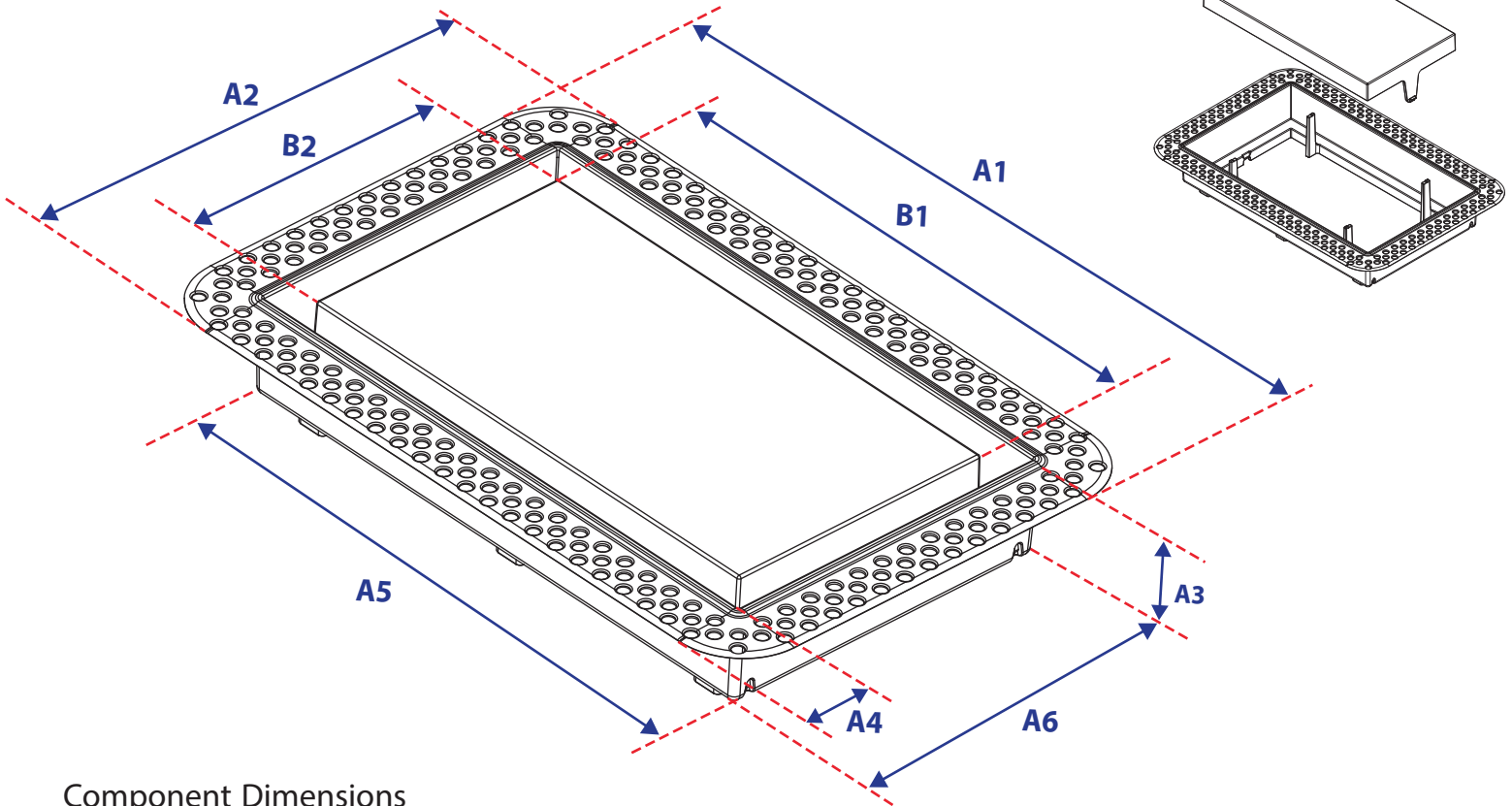




Flush Wall Vent [Lite] 6X10
Specification Sheet

Perspective View

Expanded View



Component Dimensions

Imperial

	6"x10"
A1	11 1/8"
A2	8"
A3	2 1/4"
A4	1 1/8"
A5	8 7/8"
A6	5 3/4"
B1	9 3/4"
B2	4 7/8"

Metric

	6"x10"
A1	283mm
A2	203mm
A3	57mm
A4	28mm
A5	225mm
A6	146mm
B1	248mm
B2	124mm

Components

Tray: Injection molded ABS plastic surface to be finished with paint or wallpaper. Tray can be removed for cleaning or duct access.

Body: Slim frame to be fastened to substrate. With muddable drywall bead for flush installation.

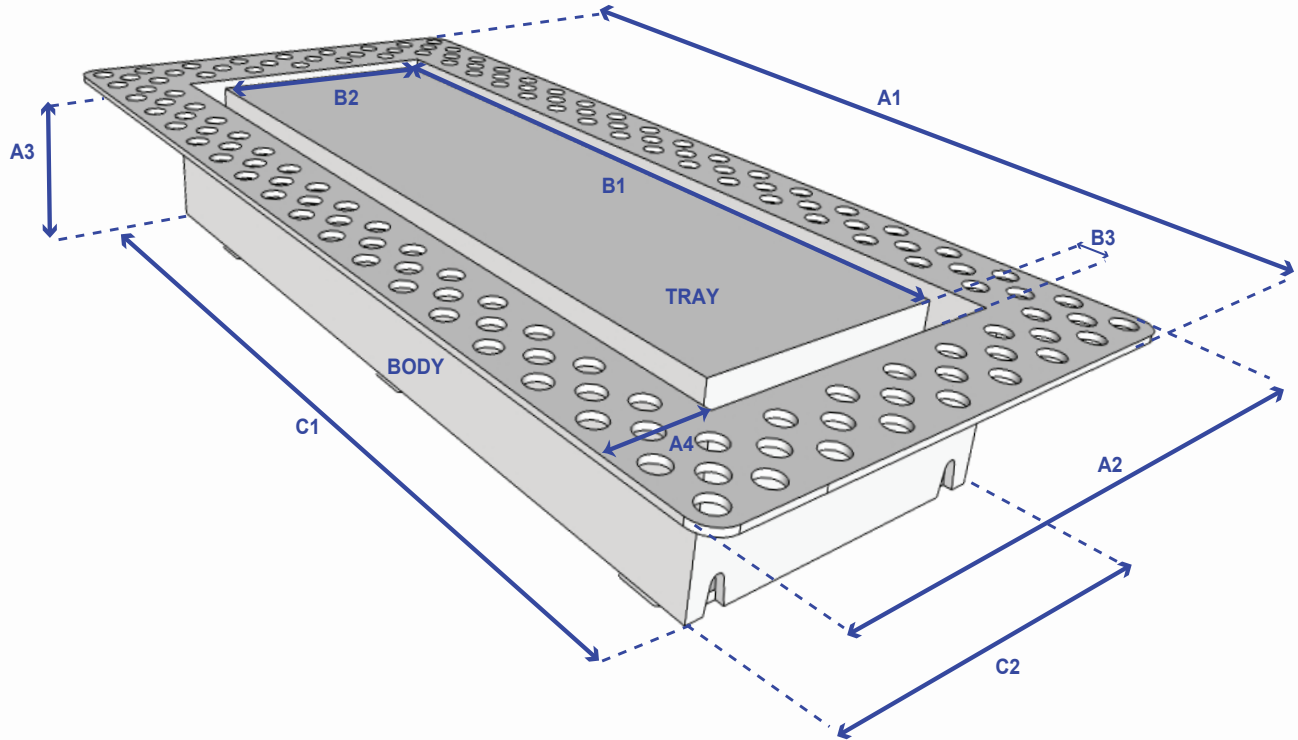
Air Flow Control

No air flow control on this model.



Flush Wall Vent [Lite] 4X10 Specification Sheet

Perspective View



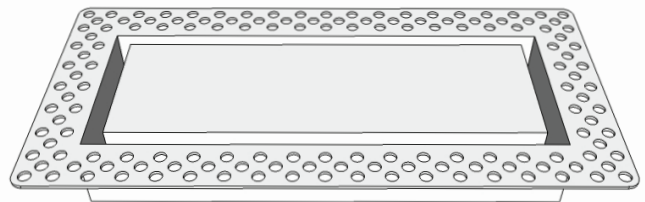
Component Dimensions

Imperial

Metric

	4"X10"		4"X10"
A1	11 ³ / ₄ "	A1	298mm
A2	5 ³ / ₄ "	A2	146mm
A3	2"	A3	51mm
A4	1 ¹ / ₁₆ "	A4	27mm
B1	8 ⁵ / ₈ "	B1	219mm
B2	2 ⁹ / ₁₆ "	B2	65mm
B3	1/2"	B3	13mm
C1	9 ³ / ₄ "	C1	248mm
C2	3 ³ / ₄ "	C2	95mm

Side View



Components

Plate: Lightly textured flat plate to be finished with paint or wallpaper.

Body: Drywall bead frame to be fastened and mudding on drywall surface.

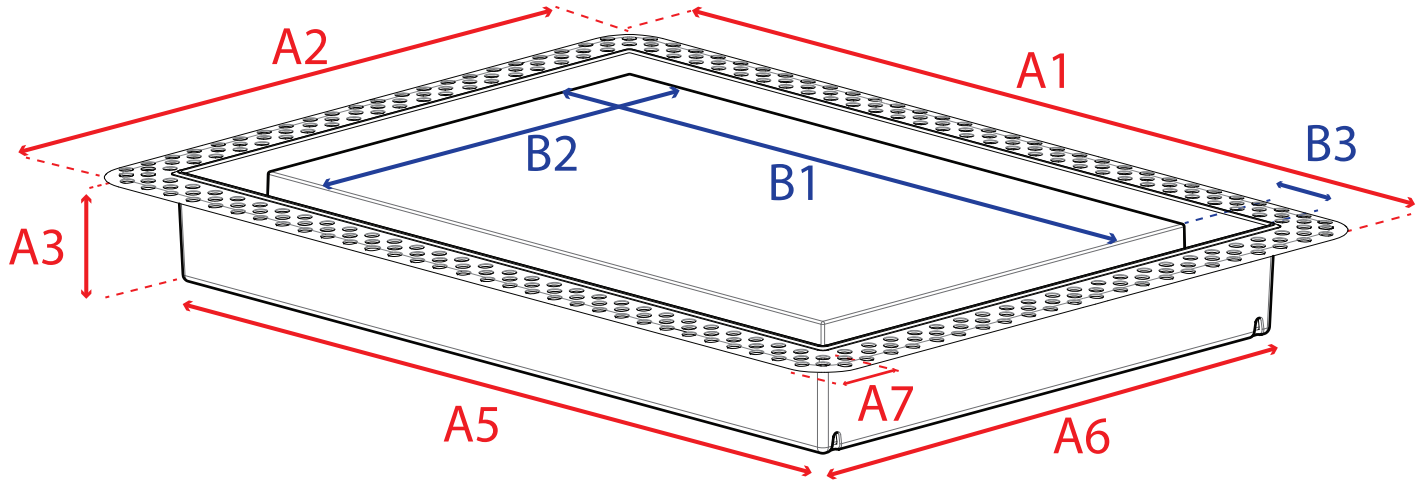
Air Flow Control

No air flow control on this model

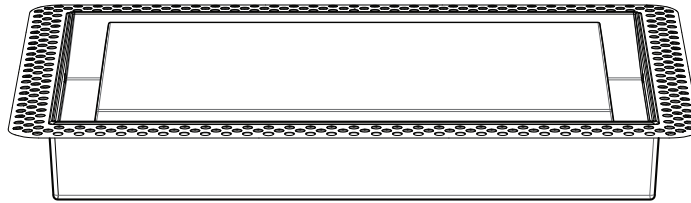
Size & Colour	4"x10"
White	✓



Flush Wall Vent [Lite] 10X14.25
Specification Sheet



Side View



Component Dimensions

LITE	10"x14.25"	
	Inches	MM
A1	16 3/16"	379mm
A2	12"	273mm
A3	1 3/4"	45mm
A4	1/8"	3mm
A5	14 3/16"	360mm
A6	10"	254mm
A7	1 1/16"	12mm
B1	12 3/16"	310mm
B2	7 15/16"	202mm
B3	15/16"	24mm

Components

Plate: Lightly textured flat plate to be finished with paint or wallpaper.

Body: Slim frame to be fastened to substrate. With muddable drywall bead.

Air Flow Control

No air flow control on this model